

L.V. Current Transformers

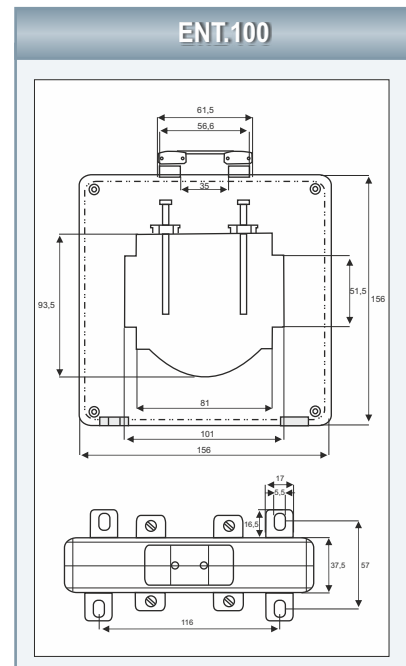
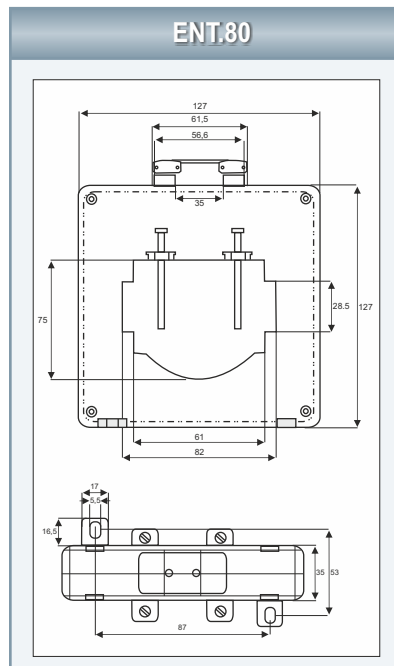
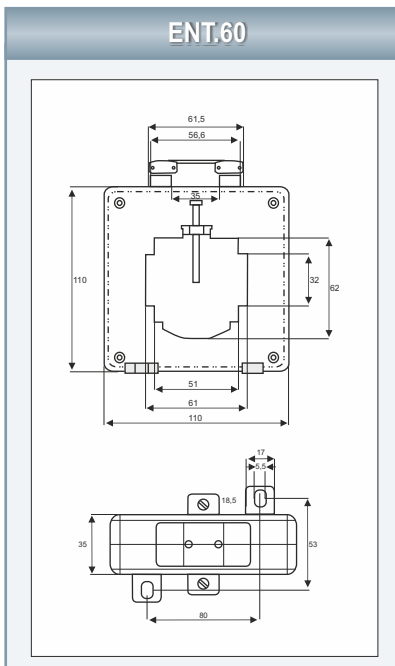
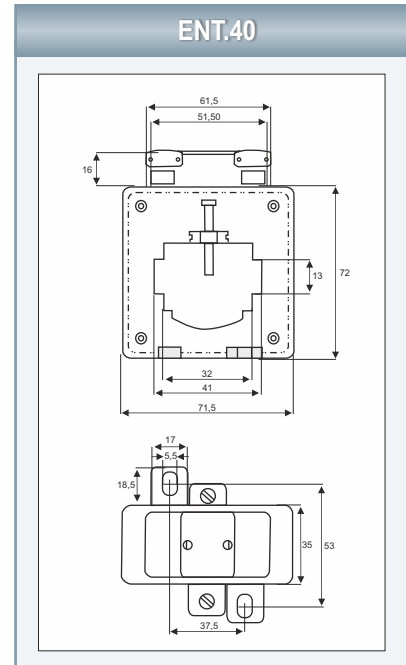
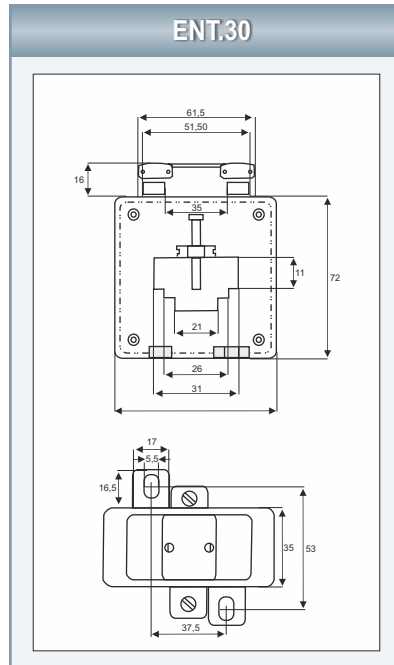
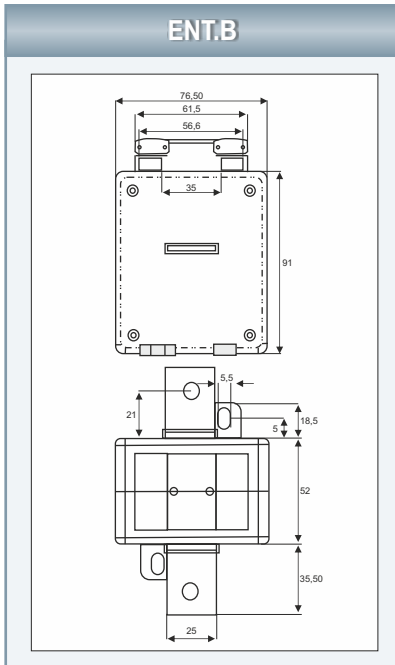
ENT Series



Type	Primary Current (A)	Nominal Power (VA)				Class	
		5VA	10VA	15VA	30VA	0,5	1
ENT.B	5-10-15-20-25-30 40-50-60 75-80-100-125-150	●	●	●		●	
	30-40-50-60-75-80-100-125-150	●					●
ENT.30	200	●	●			●	
	250-300	●	●	●		●	
ENT.40	400-500-600	●	●	●		●	
ENT.60	750-800-1000-1250	●	●	●		●	
ENT.80	1500-1600			●	●	●	
ENT.100	2000-2500-3000-3200			●	●	●	
	4000-5000				●	●	

*Class 0.5 current transformers are supplied as sealed.

Dimensions



Power Factor Correction